

Sliding Door

EN 13501-2 Classification

EI₂60
EI₁60

Typology



Fire Test EN 1634-1

CTE DB SI

According to the requirements established in the Basic Fire Safety Document of the Technical Building Code [CTE DB SI].

Test Report

APPLUS 19/16186-506 M1

Classification Report

APPLUS 19/16186-506-3 M1

CE MARKING

0370-CPR-3840

ALFATORRES Metal TELESCOPIC double leaf sliding fire door CEIT-60 model.

Tested according to UNE-EN 1634-1 and classified as fire resistant **EI₂60** according to UNE EN 13501-2. The leaves consist of a system of our own panels, which are made of galvanized sheet metal. They are filled with rock wool and laminated calcium materials. The dedicated perimeter profile, which is made of galvanized steel that is 2 mm thick, makes the assembly very rigid.

Upper guides dimensioned according to the weight of the leaf. System of two double bearings to facilitate the continuous and smooth movement of the assembly. Lateral and upper overlaps made from galvanised sheet metal with intumescent sealing joint. "U" receiver with bearing and intumescent seal.

System of counterweights and internal cables, using pulleys located inside the sheet metal box at the same height as the leaf. It has an adjustable cover.

Standard activation with a fuse or an electromagnet (24v.)

Optional dual-actuator system:

1. Commercial mode: the door is always held, usually in the open position.
2. Continuous mode: manual opening and closing of the door is allowed, without the need for activation by a fire signal. When a fire signal is sent, the door closes, regardless of the position it is in at the time.

POSSIBLE CONFIGURATIONS

- Motorised activation
- Automatic or manual electrical reset
- Counterweight on the opposite side to the closing
- Speed regulators for controlled closing
- Manufactured in sections to facilitate installation.
- Various guide supports for adaptation to suit the construction

Layout sketch for single leaf sliding doors

Sliding Door

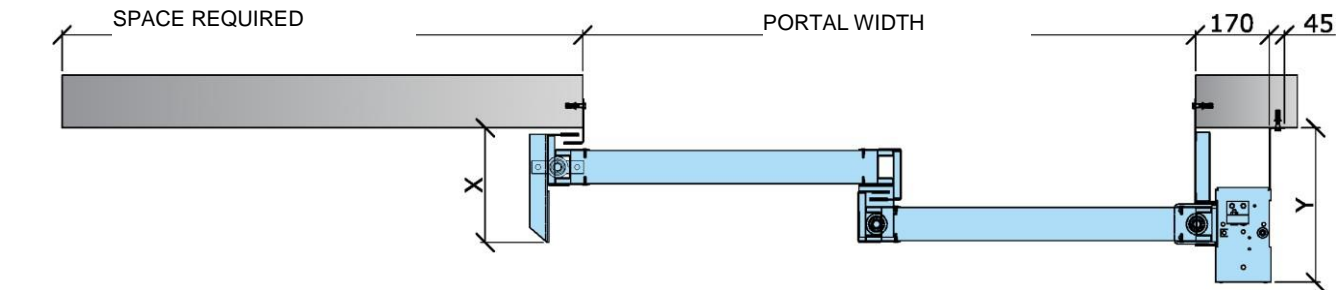
EN 13501-2 Classification
EI₂60

Typology
2 Telescopic leaves

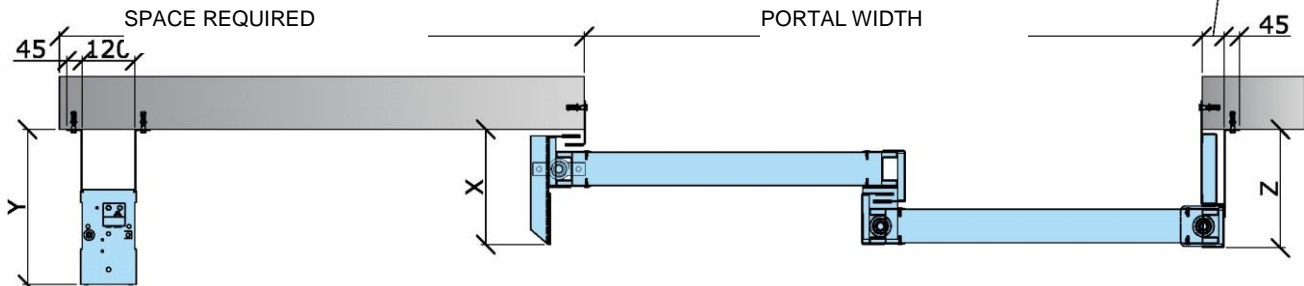
	Space Required (mm)	X (mm)	Y (mm)	H (mm)	W (mm)	Z (mm)
Opposite Weight	Portal Width/2 + 455	280	275	>310	290	-----
Motorised	Portal Width/2 + 540*	280	-----	>310*	290*	-----

*Option of placing the motor in different positions, thus varying the following dimensions: EN, H and W

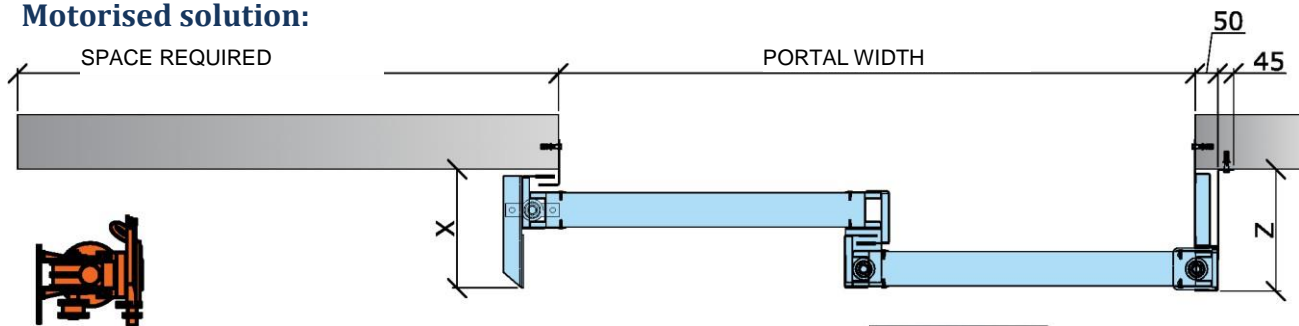
Counterbalanced solution (counterweight on the closing side):



Counterbalanced solution (counterweight on the opposite side):



Motorised solution:



(*) Different configurations possible:

